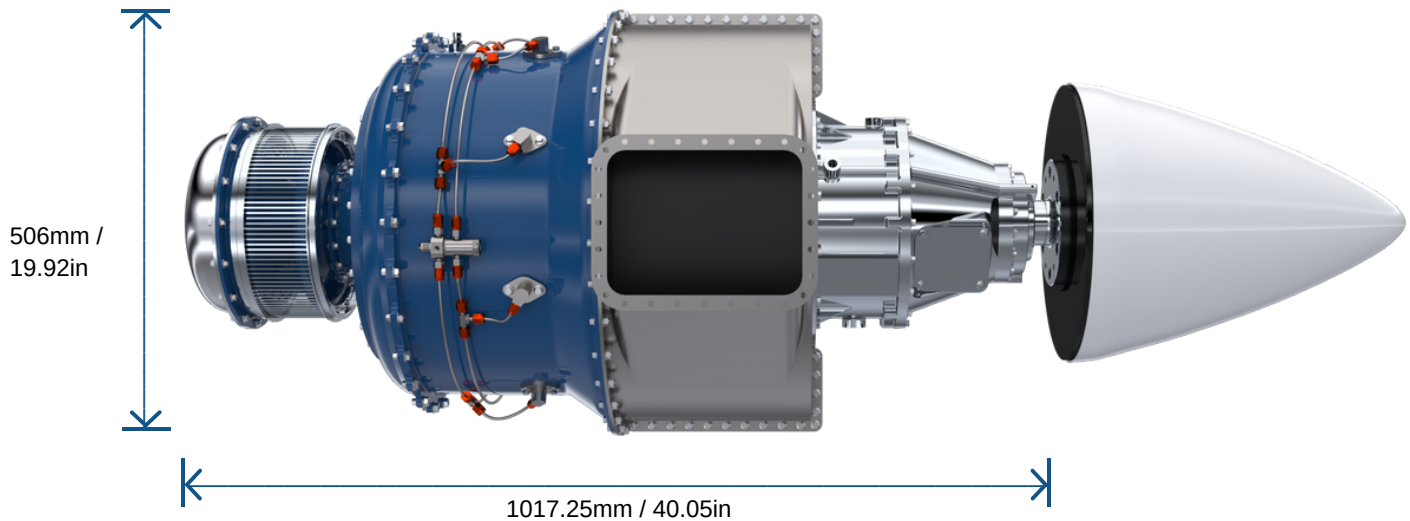


TA200TP 'Talon' Turboprop Engine



TA200TP Talon	Specifications
Take Off Power	200 hp
Maximum Continuous Power (MCP)	190 hp
Optimum Cruise Power (OCP) @ 10,000', ISA	180 hp
Specific Fuel Consumption	0.56 lbs/hp/hr
Fuel flow @ 150hp @ 10,000', ISA, JetA	12.6gph / 47 litres p.h.
Installed Weight (incl fluids)	270 lbs / 123 kgs
TBO	Target > 3000 hrs
Generator	24v,100A
Single Lever Power Control Unit	Offering single lever engine power and propeller control

All specifications are preliminary and are subject to confirmation and change without notice. All images are indicative only.